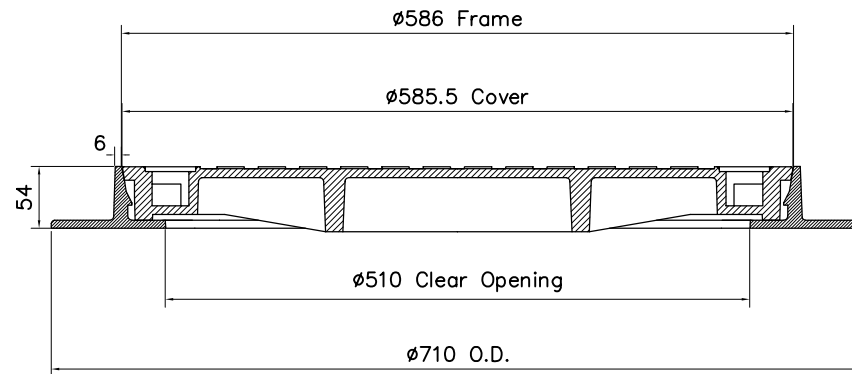
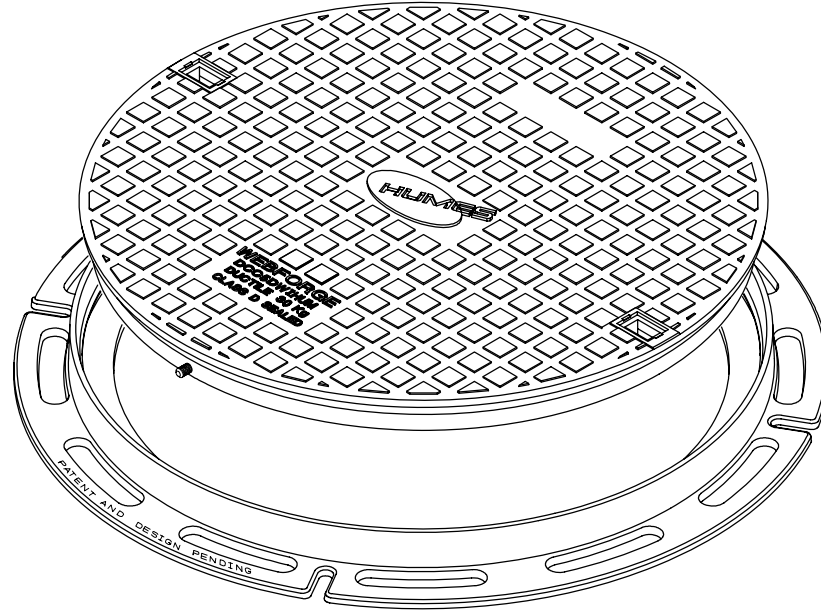


# DCC5DWIHUM



**Class 'D' Assembly (45 Kg)  
With Wide Frame**

Cover : DCC5DWIHUMC.Dwg (30Kg)  
 Frame: DCC5BF100S.Dwg (15Kg)  
 Plug : PLUG.dwg

