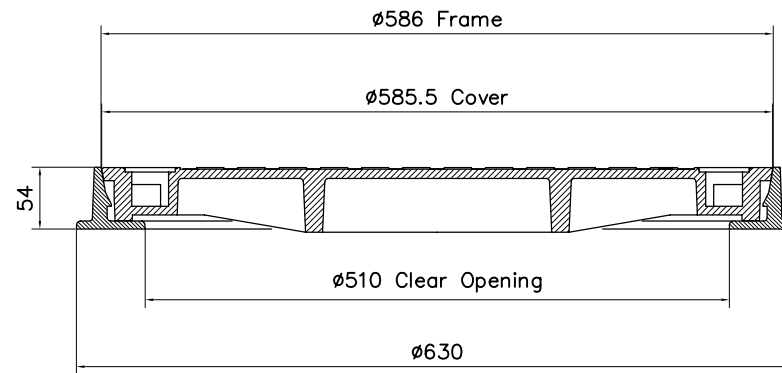
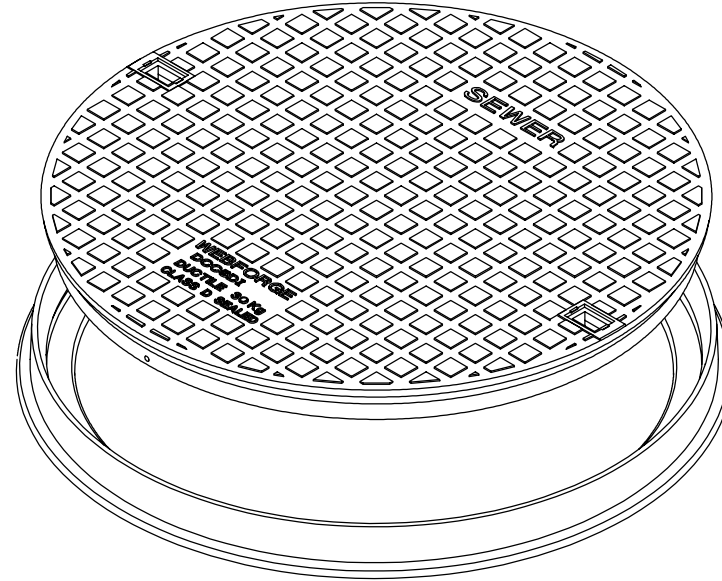


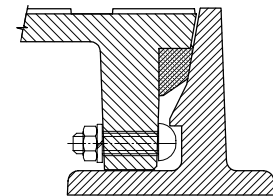
DCC5DI



Class 'D' Assembly (44 Kg) With Standard Frame

Cover : DCC5DIC.Dwg (30Kg)
Frame: DCC5BF60S.Dwg (14Kg)
Plug : PLUG.dwg

OPTIONAL SNAPLOK BOLT & RUBBER SEAL



Product Code: DCC5DISR