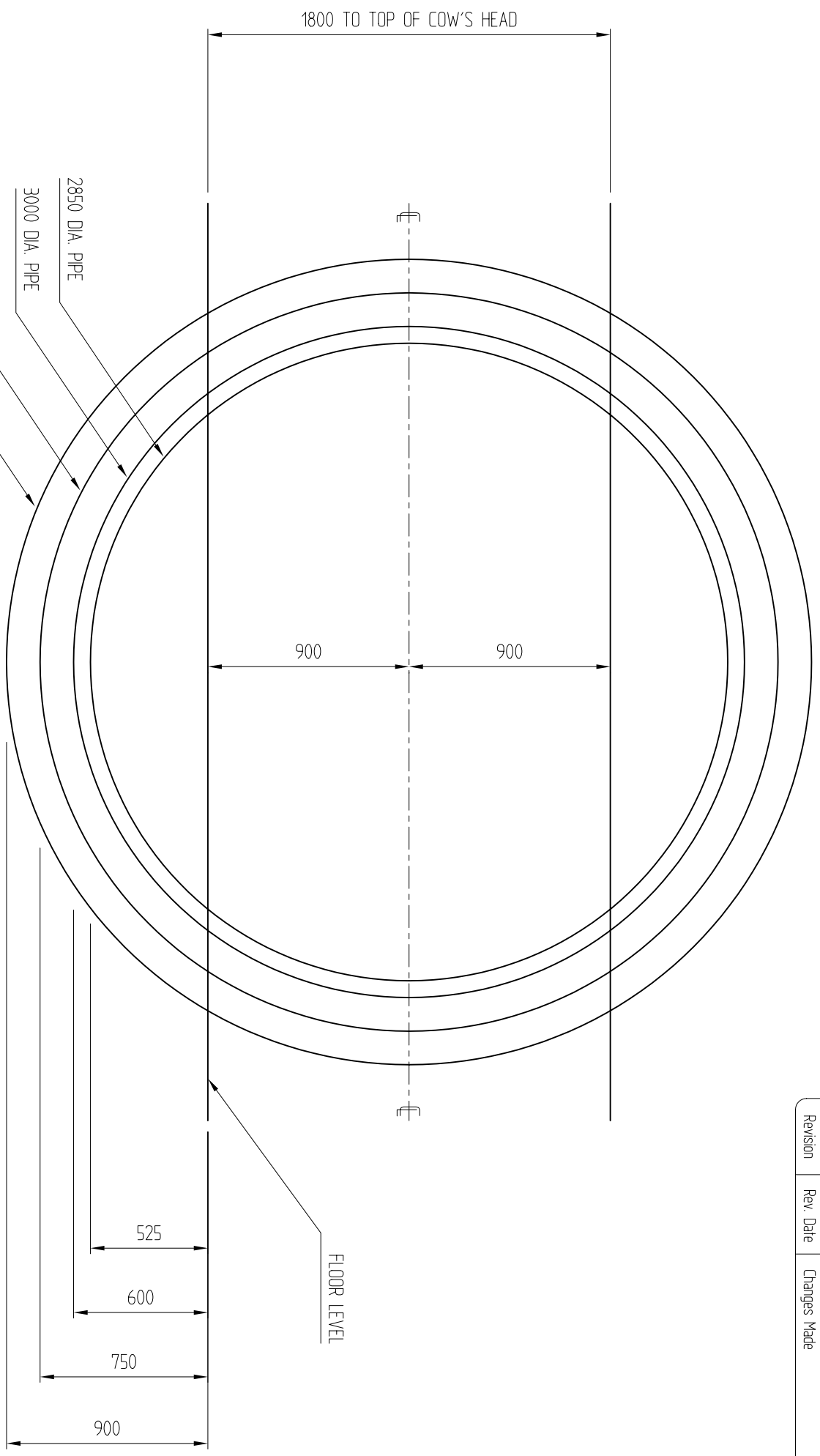


Revision	Rev. Date	Changes Made



- 2850 DIA. PIPE
- 3000 DIA. PIPE
- 3300 DIA. PIPE
- 3600 DIA. PIPE



**Humes Pipeline Systems**  
 Private Bag 92817  
 Auckland  
 Freephone 0800 502 112  
 www.humes.co.nz

Copyright: This design, information and drawing remain the property of Humes Pipeline Systems and may not be used or copied without approval in writing from Humes Pipeline Systems.

FLOOR POSITION FOR  
 CATTLE UNDERPASSES

Drawn by	ZS	Date	16.09.97.
Checked		Scale A4	1 : 25
Works order no.			
Drawing no.	H116	Rev. No.	