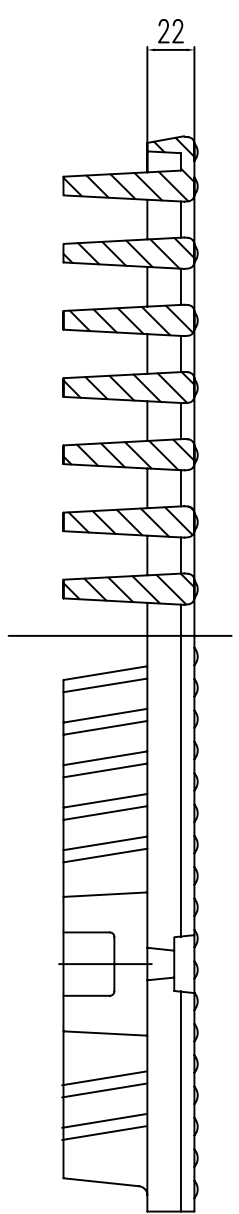


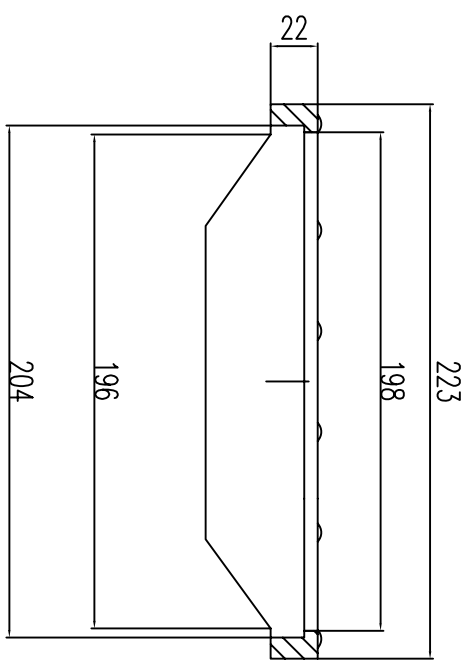
DATA SHEET

B-B

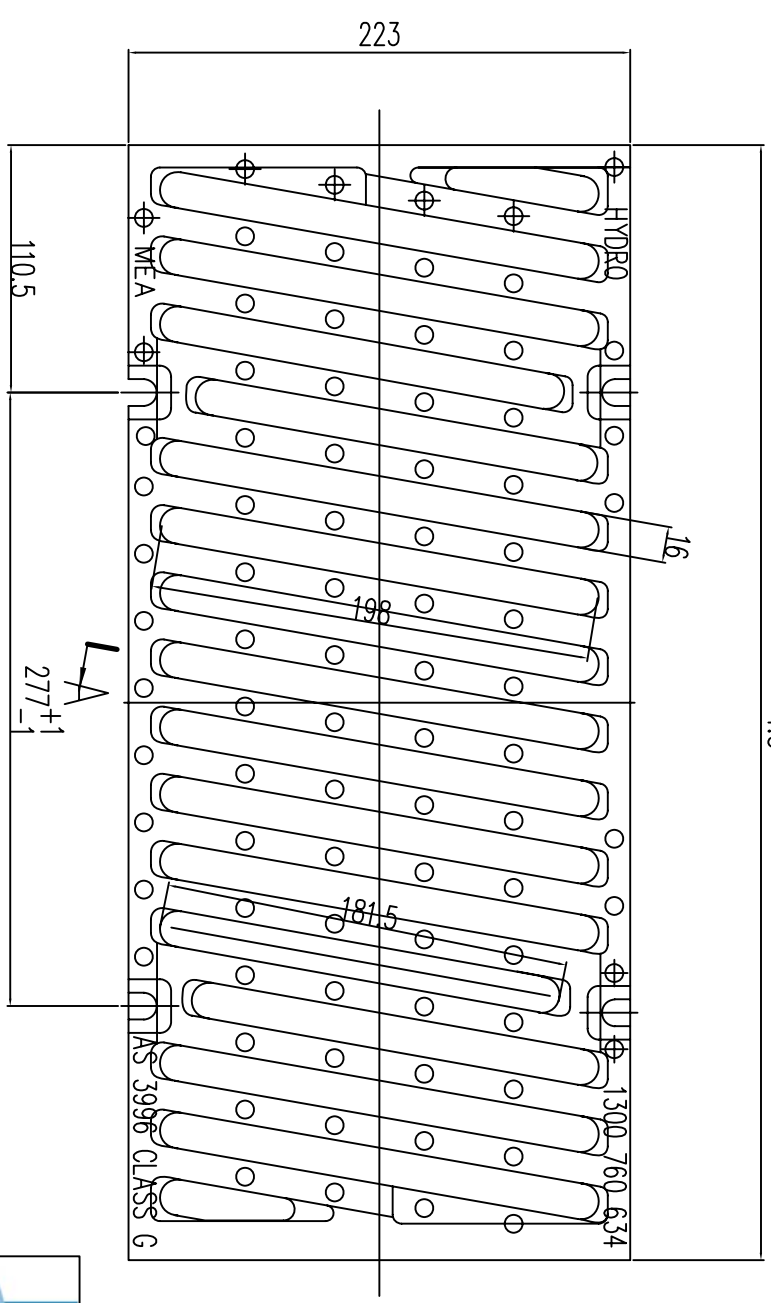


A

$498^{+1.5}_{-1.5}$



A-A



NOTE:

COLOUR: MATT-BLACK



Title	Cast Iron Bolted Grate Suit C2000-0.5M			
Date	01/08/2008	Drawer	BG	Revision
Weight	Drawing No.	AS 3996	CLASS G900KN	A
	153561B			