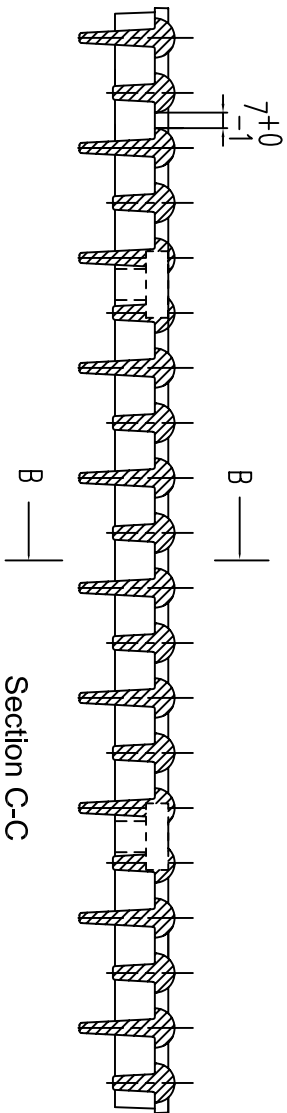
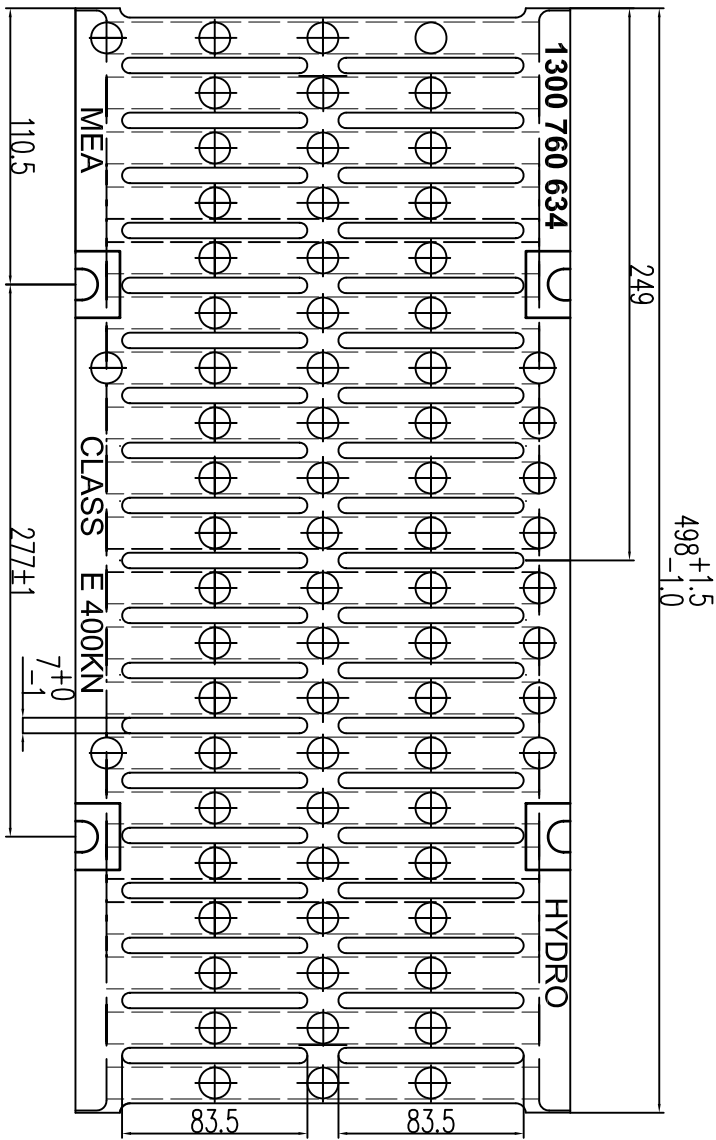
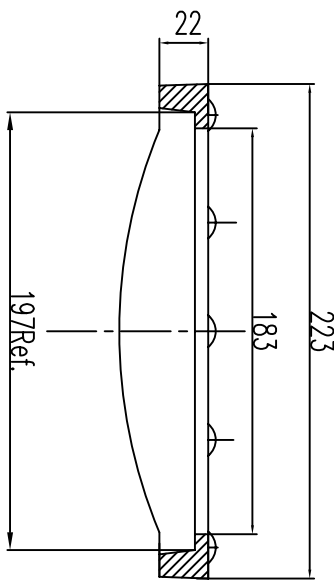


# DATA SHEET



Section C-C



C

Note:

Colour : Painted Matt-Black



Title		Ductile Iron Heelguard Grate Suit C2000		
Date	07/08/2008	Drawer	BG	Revision
Weight		Drawing No.	153561BH	AS 3996 CLASS E400KN
				A