

Suitable for repairs and connections of steel, cast iron, brass, asbestos cementos and plastic pipes.
Clamp is suitable for total break.

Use:

For water, sewage and gas.
Temperature: -/ - 30°C up to max. +110°C

Options:

Several lengths and measures.
Use of several materials for clamps and rubber sealing.
Flanged branches (DN 50 - DN 500), drilling according to PN 10 or PN 16.
Clamp can be supplied with support plate, fingers or bolts welded with an interval of 50 mm.

Quality:

Supplier certified according to NEN-EN-ISO 9001certificate.

Materials:

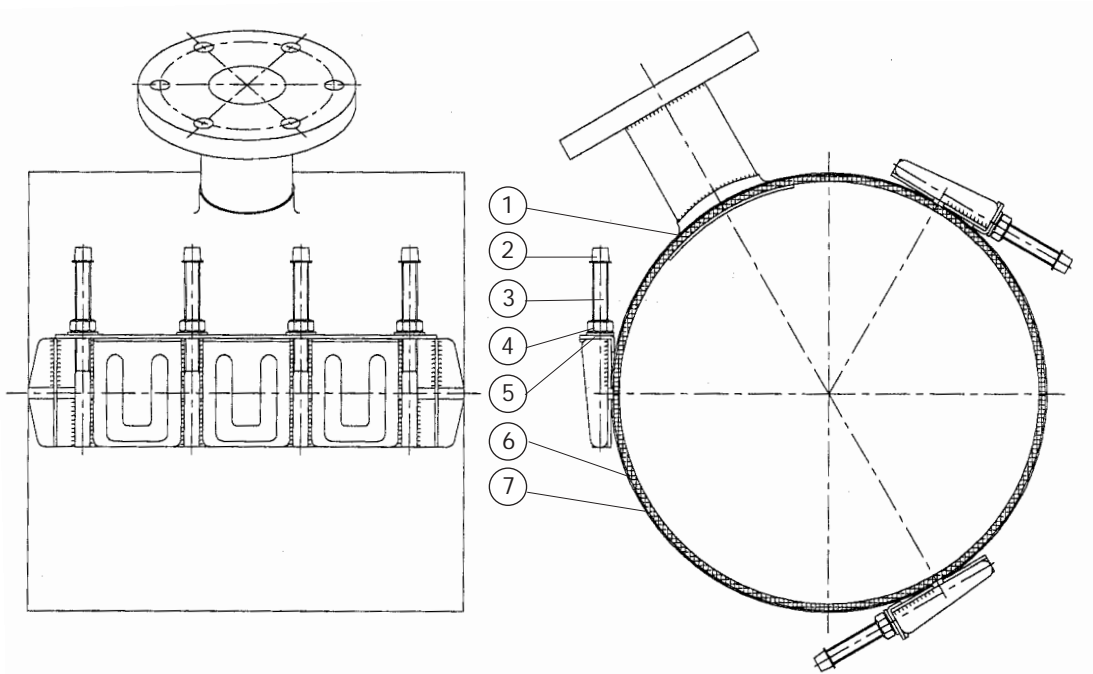
Clamp and flange	Stainless steel AISI 304 or AISI 316
Rubber sealing	NBR, SBR or EPDM
Gasket	NBR
Bolts	Stainless steel A2, Teflon coated
Nuts and washers	Stainless steel A4
Protection cap	Plastic



Suitable for repairs and connections of steel, cast iron, brass, asbestos cementos and plastic pipes.
Clamp is suitable for total break.

Component list

1. Gasket
2. Protection cap
3. Bolt
4. Nut
5. Washer
6. Rubber sealing
7. Clamp



Article no.	Range in mm	
729-9578-3X02YY	548-578	
729-9598-3X02YY	568-598	
729-9618-3X02YY	588-618	
729-9638-3X02YY	608-638	
729-9658-3X02YY	628-658	
729-9678-3X02YY	648-678	
729-9698-3X02YY	668-698	
729-9718-3X02YY	688-718	
729-9738-3X02YY	708-738	
729-9758-3X02YY	728-758	
729-9778-3X02YY	748-778	
729-9798-3X02YY	768-798	

X: Length	6 = 500	10 = 900	YY: Flange	40 = 2"	52 = 5"	64 = 12"
	7 = 600	11 = 1000		43 = 2 1/2"	55 = 6"	70 = 16"
	8 = 700			46 = 3"	58 = 8"	76 = 20"
	9 = 800			49 = 4"	61 = 10"	

NB: Other ranges available on request