

**Single orifice air release valve PN16 & PN25  
Inlet 25mm BSP female**

**Use:**

For water (not sewage) and neutral liquid applications

Valve designed for use up to 70°C

Where applicable; for AS 4020 compliance, max temp = 40°C

**Tests:**

Hydraulic test: 1.5 x PN

**Optional extras:**

Isolating valve

**Materials:**

Body	Ductile iron BS EN 1563 EN-GJS 500/7
Cover	Ductile iron BS EN 1563 EN-GJS 500/7
Float & lever	Plastic ABS
Seals	EPDM WBS listed
Fasteners	Stainless steel 316 Grade A4
Coating	FBE to AS 4158



AVK Australia's website contains the latest product information and data sheets.

Designs, materials and specifications shown are subject to change without notice due to our continuing program of product development.



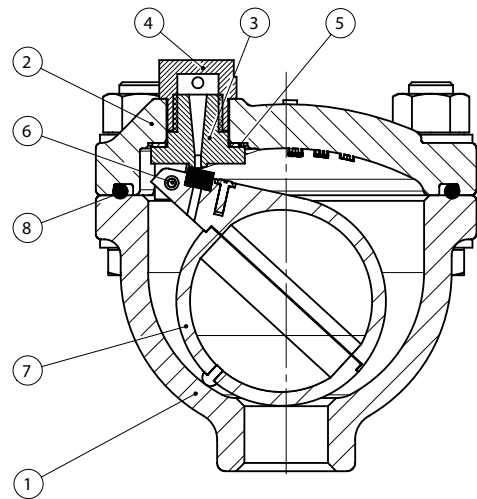
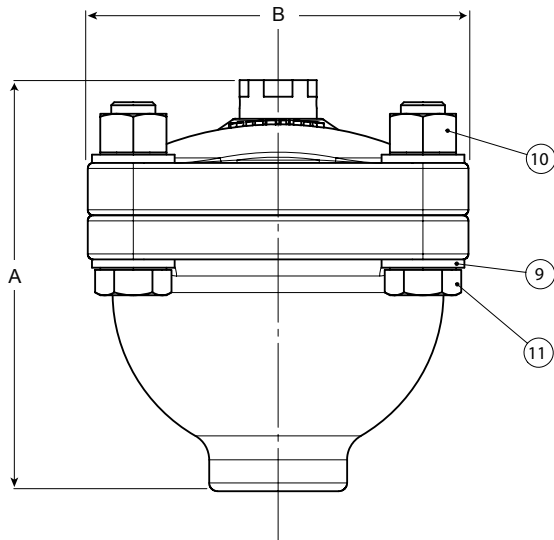
AVK Australia Pty Ltd  
559A Grand Junction Road, Wingfield, SA 5013 Australia  
Tel: +61 8 8368 0900  
Fax: +61 8 8368 0970  
E-mail: info@avkvalves.com.au  
www.avkvalves.com.au  
Copyright© AVK Group A/S 2009

3N85100BQ  
December 2009

Single orifice air release valve PN16 & PN25  
Inlet 25mm BSP female

### Component list

- |                    |                |              |
|--------------------|----------------|--------------|
| 1. Body            | 5. Gasket      | 9. Washer    |
| 2. Cover           | 6. Grooved pin | 10. Nut      |
| 3. Orifice bracket | 7. Float       | 11. Hex bolt |
| 4. Orifice cover   | 8. O-ring      |              |



### PN 16

Ref. nos.	DN	Ends	A mm	B mm	Approx. Weight kg
851-025-00822000	25	BSP	151	138	6.2

### PN 25

Ref. nos.	DN	Ends	A mm	B mm	Approx. Weight kg
851-025-00822009	25	BSP	151	138	6.2