

**Single orifice plastic air valve
BSP-M inlet**

Use:

For water and neutral liquid applications

Valve designed for use between -20° to +90°C

Working pressure:
Min. 0.2 bar
Max. 16 bar

Note: Always observe pipe material recommended operating temperatures

Materials:

Base, body, automatic float	UV resistant GRP
O-ring	NBR rubber
Float, kinetic float	Polypropylene
Valve seal, kinetic seal automatic seal	EPDM rubber

Tests:

Tested for 16 bar operation

Optional extras:

Brass base
NPT male inlet



AVK Australia's website contains the latest product information and data sheets.

Designs, materials and specifications shown are subject to change without notice due to our continuing program of product development.



AVK Australia Pty Ltd
559A Grand Junction Road, Wingfield, SA 5013 Australia
Tel: +61 8 8368 0900
Fax: +61 8 8368 0970
E-mail: info@avkvalves.com.au
www.avkvalves.com.au
Copyright© AVK Group A/S 2008

3N701AQ
July 2008

Single orifice plastic air valve
BSP-M inlet

Component list

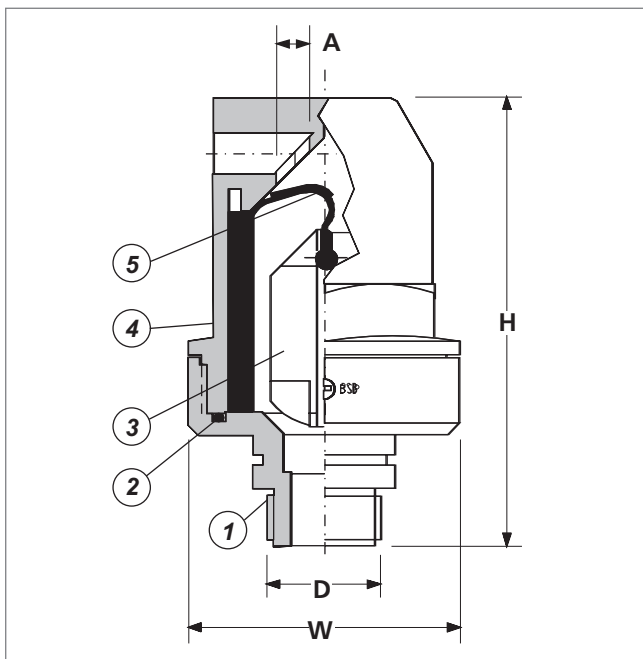
Automatic

- 1. Base
- 2. O-ring
- 3. Float
- 4. Body
- 5. Valve seal

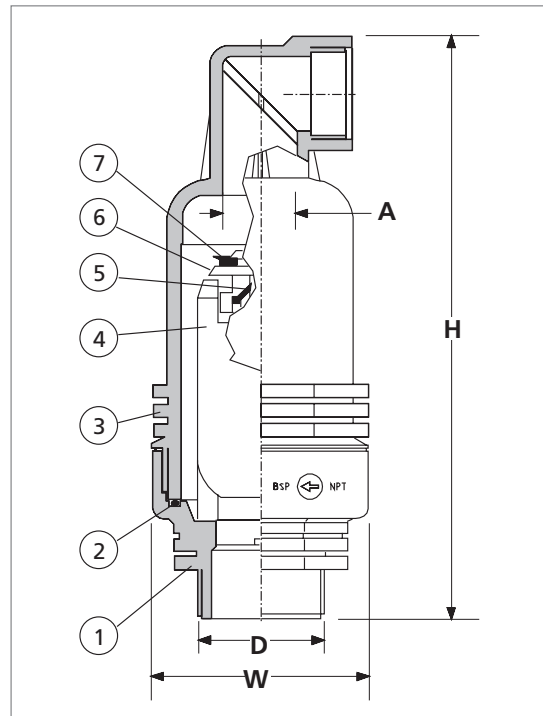
Combination

- 1. Base
- 2. O-ring
- 3. Body
- 4. Kinetic float
- 5. Automatic seal
- 6. Automatic float
- 7. Kinetic seal

Automatic



Combination



Type	Ref. nos.	W mm	H mm	D mm	A ₂ mm ²	weight kilos
Automatic	701-025-9099003	102	133	25	25	.29
Combination	701-050-9199003	102	269	50	7	.725